

Cross laser, green, 532 nm, 90 °, 5 mW

CA532-5-24(20x80)
Order Number: 70123951

Main Parameters (*)	min	typ	max	Unit
Wavelength		532		nm
Optical Output Power		5		mW
Operating Voltage	21.6	24	26.4	V DC
Operating Current	13	20	30	mA
Operating Temperature	15		30	°C
Storage Temperature	-40		80	°C

Main Data

Warranty 1 years

Technical Parameters

Lifetime > 5,000 h
RoHS yes

Optical Parameters

Beam Shape	Cross
Laser Class	1
Divergence	0.2 mrad
Fan Angle	90 °
Line Thickness	<1.5mm@3m
Operating Distance	3 m
Optics	glass lens AR coated
Beam Mode	TEM00
Laser technology	Solid State (YVO4+KTP)
Focus	fixed (3000mm)
Warm up time	< 15 min
Verticality	< ± 0.5 °

Electrical Parameters

Potential of Housing isolated

Mechanical Parameters

Size	Ø20x80 mm
Material	aluminium
Cable length	100 mm
Wire type	Belden, Typ 1007, 26AWG
Output Aperture	5 mm
Housing Color	black
Weight	62 g
Stripping of wire	5 mm

(*) Over the complete operating temperature range

Features




- Operating Voltage 24 V DC
- Laser Class 1
- Fan angle 90 °
- Uniform line thickness
- Fixed focus

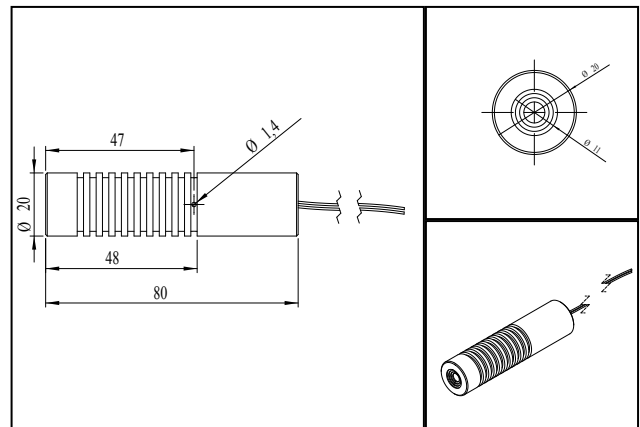
Picture



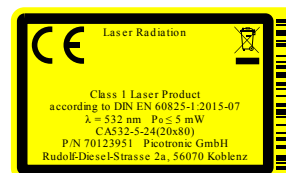
Cable color

Ground		black	GND
positive		red	21.6 - 26.4, typ 24 V DC

Drawing



Safety Label



Valid Revision

| 17-DEC-2018